



The perfect fit!
The New York window handle
with adjustable spindle

The adjustable spindle from HOPPE

The problem

There are many different profile systems available for aluminium, wood and PVC windows, and this stems in no small part from energy saving requirements and safety concerns, as well as design considerations. What is more, these systems also require compatible spindle lengths.

It follows that a range of window handles with different spindle lengths must be held in stock. This is inconvenient and leads to considerable additional logistical and administrative costs.

The product solution from HOPPE



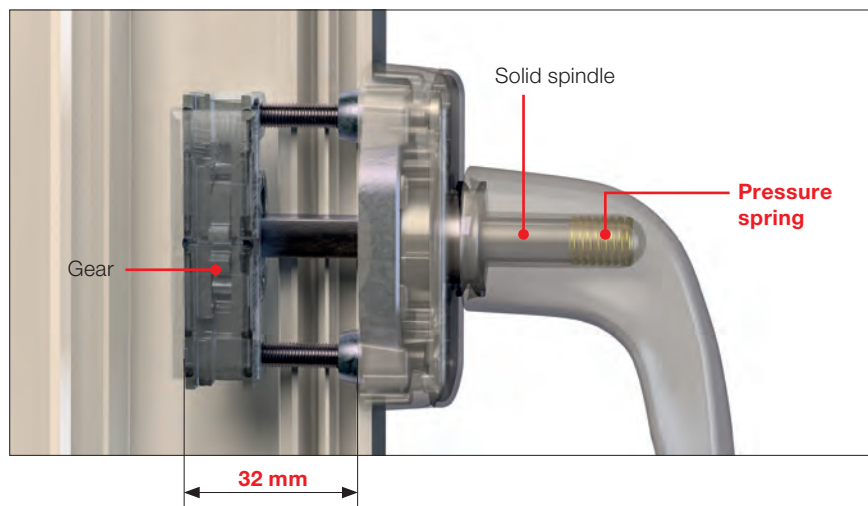
A **single** window handle for a range of window profiles. With the patent-pending, adjustable spindle for window handles, you will have the right spindle length for a variety of window profiles already in stock.

This is because the length of the adjustable spindle in the window handle adapts to the depth of the individual window profile, which is enabled by means of a pressure spring fitted on the spindle in the inside of the window handle. Thanks to the spring mechanism, the spindle is pressed smoothly into the square recess of the gear follower, ensuring a perfect fit.

The integrated **Secustik® technology*** hinders movement of the window fitting and turning of the spindle from outside.

The **Secustik® window handle with adjustable spindle** can be used with an installation depth range of up to 10 mm and has been tested to RAL. It can be installed with ease and flexibility on window profiles of various depths. Naturally, HOPPE has also extended its 10-year operational guarantee to the new Secustik® window handle with adjustable spindle.

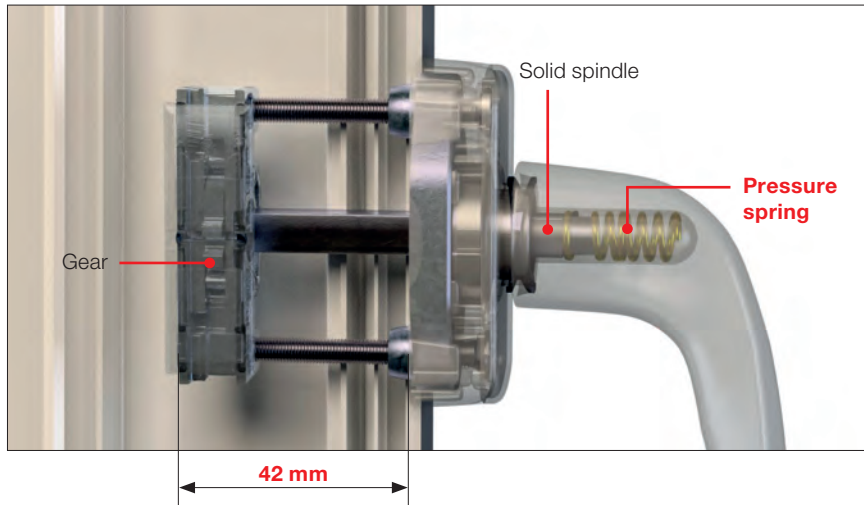
Secustik® window handle with adjustable spindle. Projecting spindle length 32 mm.



Secustik®

* Window handles with Secustik® technology feature a patented locking mechanism to protect against unauthorised movement of the window fitting and turning of the spindle from outside.

Secustik® window handle with adjustable spindle. Projecting spindle length 42 mm.



Compared to the current window handles with fixed spindle lengths, the new window handle with adjustable spindle reduces the number of variants considerably. The associated cost saving potential from the reduction in complexity is clear to see.

The adjustable spindle is used for the first time with the new Secustik® window handle model New York. It is supplied in the 32–42 mm version (projecting spindle length), complete with 2 pairs of screws. Additional spindle length ranges are available upon request. We supply the following aluminium finishes:



F1 – silver



F9 – steel



F8707 – dark brown
semi-gloss



F9016 – traffic white
semi-gloss

Overview of the special features of the New York Secustik® window handle with adjustable spindle:

- Flexible use on window profiles of various depths thanks to pressure spring integrated into the handle neck
- Spindle length adjusts smoothly to the depth of the individual window profile
- Length adjustable up to 10 mm
- Window handle contains patented lock mechanism that uses tried-and-tested Secustik® technology
- Great potential for savings on storage and logistical costs
- 10-year operational guarantee
- Brand quality, tested to RAL



HOPPE Holding AG
Via Friedrich Hoppe
CH-7537 Müstair
Tel. +41 81 851 66 00
Fax +41 81 851 66 66
info.ch@hoppe.com
www.hoppe.com

HOPPE AG
Am Plausdorfer Tor 13
D-35260 Stadtallendorf
Tel. +49 6428 932-0
Fax +49 6428 932-220
info.de@hoppe.com
www.hoppe.com

HOPPE S.p.A.
Via del Giovio, 16
I-39010 S. Martino i. P. (BZ)
Tel. +39 0473 640111
Fax +39 0473 641359
info.it@hoppe.com
www.hoppe.com

HOPPE AG
Via Friedrich Hoppe
CH-7537 Müstair
Tel. +41 81 851 66 00
Fax +41 81 851 66 66
info.ch@hoppe.com
www.hoppe.com

HOPPE UK Ltd.
Gailey Park
Gravelly Way
Standeford
GB-Wolverhampton WV10 7GW
Tel. +44 1902 484 400
Fax +44 1902 484 406
info.uk@hoppe.com
www.hoppe.co.uk